

Barriere spartitraffico

Central reserve guardrails



MARCEGAGLIA
BUILDTECH

steel safety on roadways

Require Marcegaglia Buildtech full range of steel road safety barriers: from the **steel partner**, steel safety on roadways.

Marcegaglia Buildtech safety barriers solutions are part of Marcegaglia steel production chain and are engineered, assembled then **tested** in order to comply with specific **norm requirements**.

Certificazioni

Certifications - Zertifizierungen - Certifications - Certificaciones

- **RINA ISO 9001:2008** certificato N. 12370/05/S
- **IQNet - CISQ/RINA** Quality Management System **ISO 9001:2008** Registration N. IT-42009
- **Certificati CE** di costanza della prestazione

Crash tests

Crash tests - Crash-Tests - Essais de chocs - Crash tests



Classe H2 Spartitraffico - Barriera 2 onde W4

Class H2 Central reserve - 2-waves guardrail W4

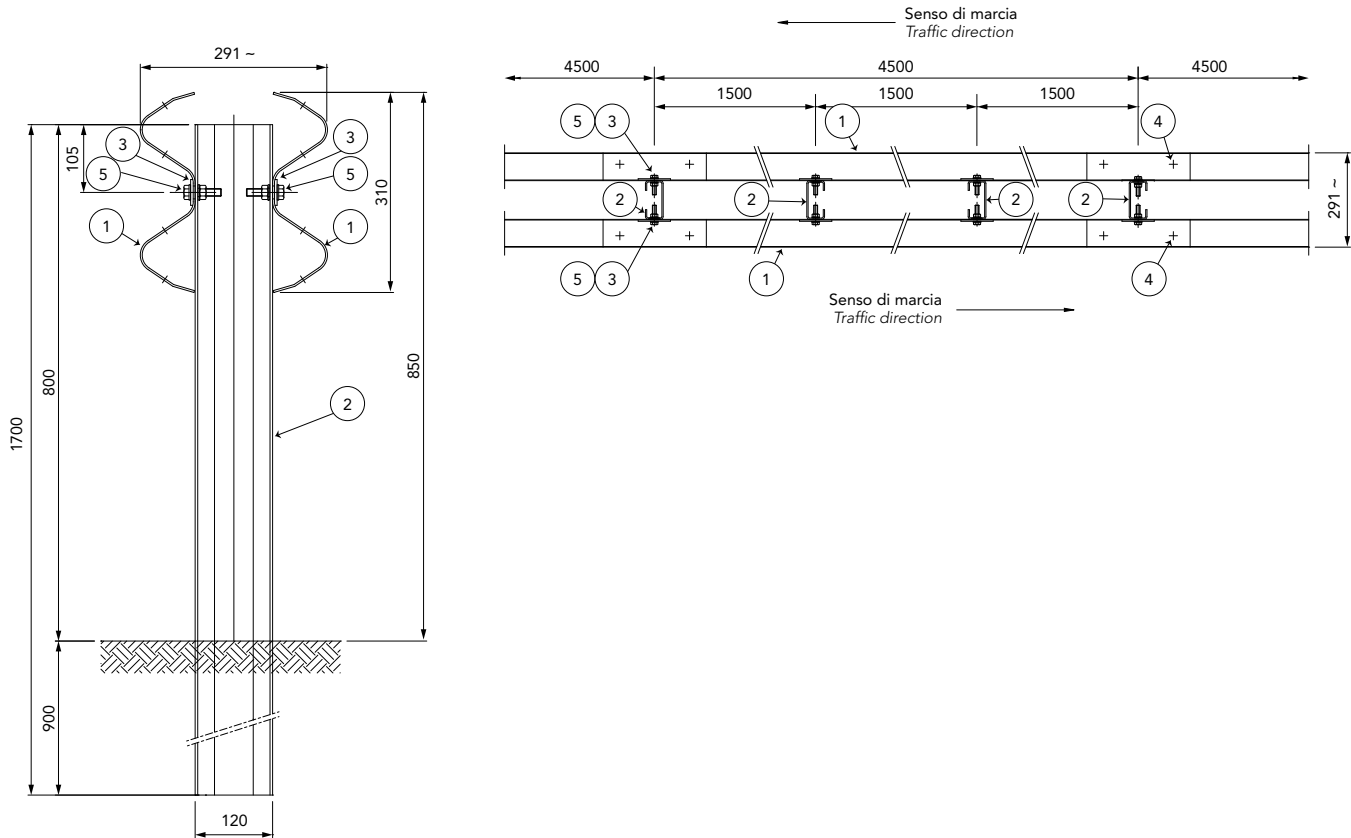
Aufhaltestufe H2 Mittelstreifenbereich - 2-welliges Rückhaltesystem W4

Classe H2 Glissière centrale - Glissière 2 crosses simple W4

Clase H2 Paso de mediana - Barrera de doble onda simple W4

H2-W4

2-waves



Caratteristiche Characteristics, Eigenschaften, Caractéristiques, Características

Altezza fuori terra <i>Height above ground level, Höhe über Grundboden, Hauteur hors sol, Altura sobre el suelo</i>	850 mm
Profondità d'infissione <i>Depth of penetration, Rammtiefe, Profondeur de piling du poteau, Longitud hincada</i>	900 mm
Ingombro trasversale <i>Overall width, Gesamtbreite, Grosseur hors tout, Anchura total</i>	291 mm
Interasse pali <i>Post spacing, Steherabstand, Distance entre poteaux, Distancia entre postes</i>	1500 mm

Rapporti di prova Crash test reports, Testberichte, Comptes rendus d'essais, Relaciones de pruebas

Test n.	Facility	Test	Type	Barrier length m	Mass kg	Speed km/h	ASI max 1.4	THIV max 33 km/h	D m	Vi m	W m
PROVA 954	Aisico	TB51	Laterale 20°	90	13000 (bus)	70	-	-	1,2	1,7	1,3=W4
PROVA 960	Aisico	TB11	Laterale 20°	90	900 (car)	100	1,1=B	33	0,3	-	0,6=W1

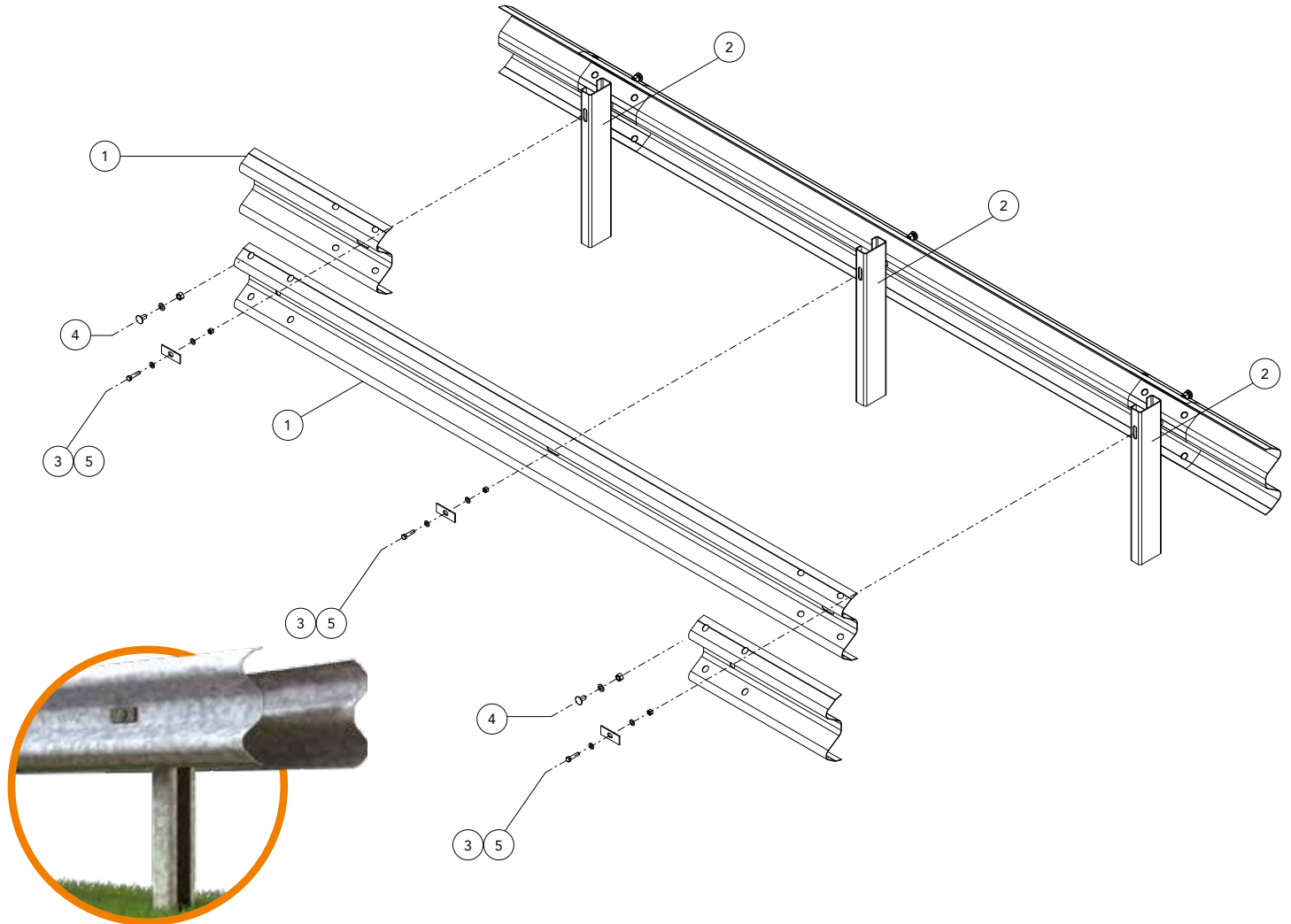
Sales office:

MARCEGAGLIA BUILDTECH guardrail division
 strada Roveri, 4
 15068 Pozzolo Formigaro, Alessandria - Italy
 phone +39 . 0143 77 61 • fax +39 . 0143 77 63 53

guardrail@marcegaglia.com
 www.marcegagliabuildtech.it

Plants:

MARCEGAGLIA BUILDTECH Pozzolo Formigaro
 strada Roveri, 4
 15068 Pozzolo Formigaro, Alessandria - Italy
 phone +39 . 0143 77 61 • fax +39 . 0143 77 63 53



Componenti Components, Bauteile, Composants, Elementos

Descrizione - barriera in acciaio zincato Description - galvanized steel barrier		Materiale Material	
5	Bullone completo Bolt with nut and washer, Schraube komplett, Boulon complet, Tornillo completo con tuerca y arandela	M12x50 mm	Classe 8.8
4		M16x30 mm	Classe 8.8
3	Piastrina copriasola Slot covering plate, Lochabdeckplatte, Plaque de couverture fente, Placa cubre-ranura	100x40x4 mm	S 275 JR
2	Palo "C" C-post, C-Steher, Poteau en C, Poste "C"	120x55x30 Th=4 L=1700 mm	S 275 JR
1	Fascia 2 onde 2-waves beam, 2-wellige Leitschiene, Glissière 2 crosses, Banda doble onda	L=4816 (1500x3) Th=2,85 mm	S 355 JR

Componenti Components, Bauteile, Composants, Elementos

Descrizione - barriera in acciaio corten Description - corten steel barrier		Materiale Material	
5	Bullone completo + 2 rondelle Bolt with nut and washer + 2 washers, Schraube komplett + 2 scheibe, Boulon complet + 2 rondelle, Tornillo completo con tuerca y arandela + 2 arendelas	M12x50 mm	Tropicaliz.
4	Bullone completo Bolt with nut and washer, Schraube komplett, Boulon complet, Tornillo completo con tuerca y arandela	M16x30 mm	Tropicaliz.
3	Piastrina copriasola Slot covering plate, Lochabdeckplatte, Plaque de couverture fente, Placa cubre-ranura	100x40x4 mm	S 355 JOWP
2	Palo "C" C-post, C-Steher, Poteau en C, Poste "C"	120x55x30 Th=4 H=1700mm	S 355 JOWP
1	Fascia 2 onde 2-waves beam, 2-wellige Leitschiene, Glissière 2 crosses, Banda doble onda	L=4816 (1500x3) Th=2,85 mm	S 355 JOWP